

Sink Evo

Bowl on the left

Kitchen Sinks

Code: 3219 052



DETAILS

Material AISI 304 stainless steel

Texture Foster brushed

Finish Foster brushed

Edge/Installation Type Standard (8 mm Edge)

Base 90 cm

Built-in hole 1140 x 480 mm

Width 116 cm

Dimensions 1160 x 500 mm

Bowl dimension 730 x 440 mm

Mixer holes 1 standard hole - 2nd hole on request

Standard fittings Fixing hooks, gasket, drain, overflow and siphon, boxed packing

Drainer Yes

Number of bowls 1 bowl

Waste fitting 3,5" drain

FEATURES

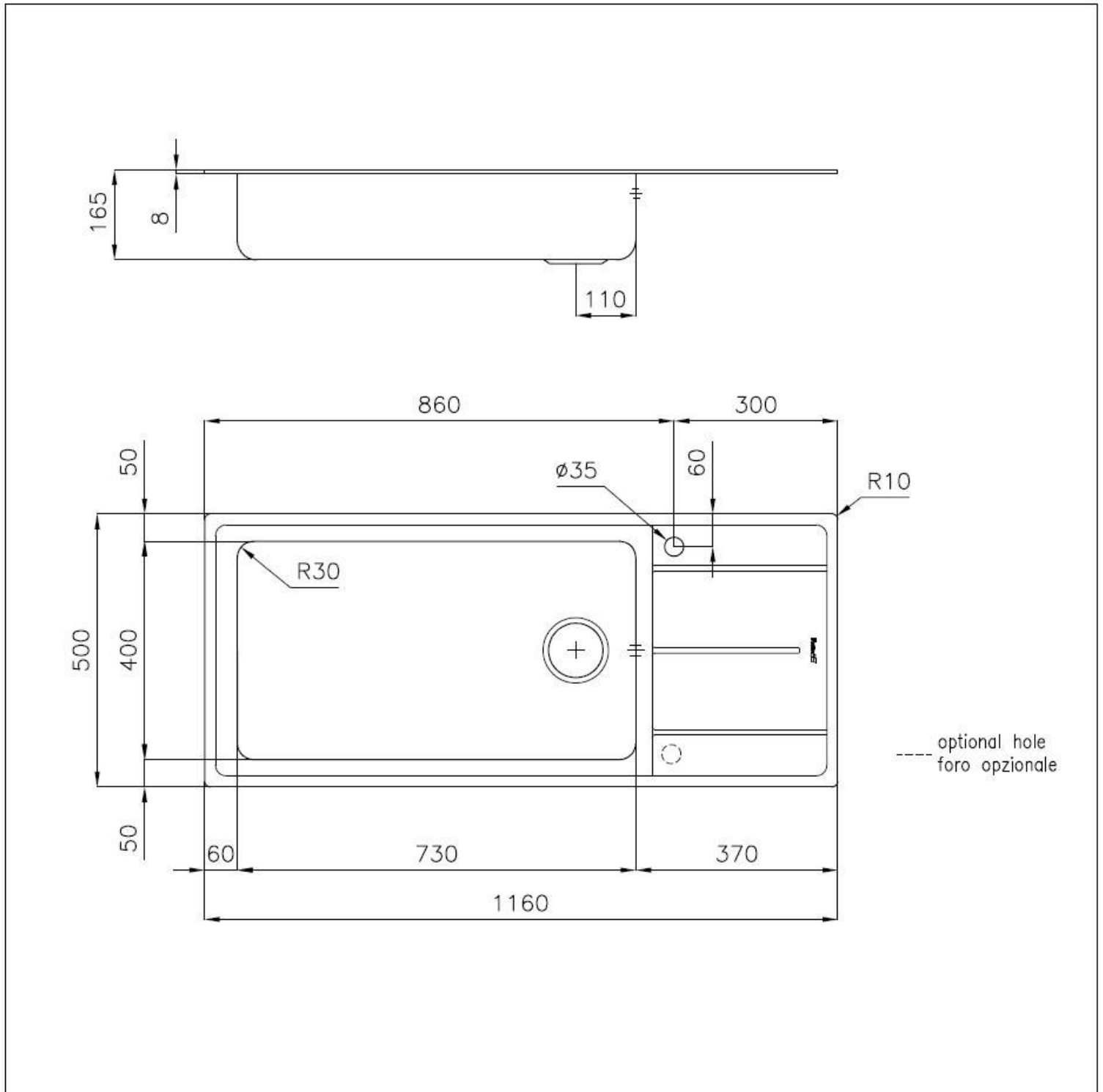
ADDITIONAL HOLES AVAILABLE

The sink can be customized with the execution on request of additional holes, usable for double-hole mixers, for remote controlled drains or for the installation of soap dispensers. The positions are marked on the drawings with dotted line holes.

Basket 3,5" waste fitting

The drain is equipped with a large 3.5" drain, with the practical basket cap that prevents the discharge of solid parts.

TECHNICAL DATA



OPTIONAL ACCESSORIES



Cestello inox
8612 000



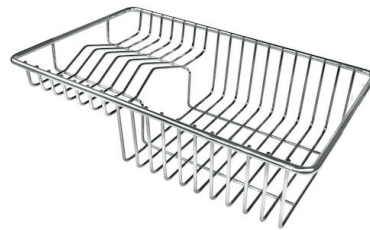
Glass chopping board
8631 300



HDPE Chopping board
8657 001



HDPE Twin chopping board
8644 101



Stainless steel plate rack
8100 303
* only in combination with the accessory
8644 101



White bowl
8153 100



Glass chopping board
8633 300



**Graters kit with ring-holder and
food collection tray**
8159 101
* only in combination with the accessory
8644 101



**Iroko-wood sliding chopping board
with stainless steel colander**
8644 044



Stainless steel perforated tray
8151 000
* only in combination with the accessory
8644 101



**Stainless steel perforated tray PVD
Copper**
8151 008
* only in combination with the accessory
8644 101



**Stainless steel perforated tray PVD
Gold**
8151 009
* only in combination with the accessory
8644 101



**Stainless steel perforated tray PVD
Gun Metal**

8151 006

* only in combination with the accessory
8644 101



White colander

8151 100

RECOMMENDED PAIRINGS



Mixer Tap Gamma

8483 001

OPTIONAL AUTOMATIC WASTE FITTINGS



Automatic waste fitting

8407 100